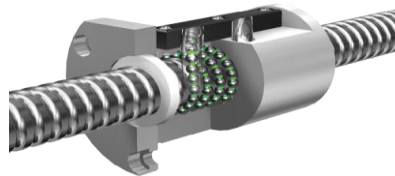




| Mil Çapı | Hatve | Somun Modeli | | | |
|----------|-------|---------------------|--|--|--|
| 6 | 01 | FSK | | | |
| 8 | 01 | FSK | | | |
| | 01 | FSK | | | |
| | 02 | FSK | | | |
| 10 | 02 | FSK | | | |
| | 03 | RSK | | | |
| | 02 | FSK | | | |
| 12 | 04 | FSK,RSK | | | |
| | 05 | RSK-RSY | | | |
| | 10 | RSY | | | |
| 14 | 02 | FSKD | | | |
| | 04 | FSI | | | |
| 16 | 05 | FSU,FSI,FDU,FDI,RSY | | | |
| | 10 | FSU,FSI,FDU,FDI,RSY | | | |
| | 16 | FSE-FSC-RSY | | | |
| 20 | 05 | FSU,FSI,FDU,FDI,RSY | | | |
| | 10 | FSC-RSY | | | |
| | 20 | FSE-FSC-RSY | | | |
| 25 | 04 | FSI | | | |
| | 05 | FSU,FSI,FDU,FDI,RSY | | | |
| | 10 | FSU,FSI,FDU,FDI,RSY | | | |
| 32 | 25 | FSE-FSC | | | |
| | 05 | FSU,FSI,FDU,FDI,RSY | | | |
| | 10 | FSU,FSI,FDU,FDI,RSY | | | |
| 40 | 20 | FSC-RSY | | | |
| | 32 | FSE-FSC | | | |
| | 05 | FSU,FSI,FDU,FDI,RSY | | | |
| 50 | 10 | FSU,FSI,FDU,FDI,RSY | | | |
| | 20 | FSC | | | |
| | 50 | FSE | | | |
| 63 | 10 | FSU,FSI,FDU,FDI,RSY | | | |
| | 20 | FSC | | | |
| 80 | 10 | FSU | | | |
| | 20 | FSU | | | |



D: ÇİFT TARAFI KESİK FLANŞ (FSUD,FSID,FSKD,FSCD,FSED,FDUD,FDID)
N: TAM YUVARLAK FLANŞ (FSIN,FDIN)

SOL DIŞ VİDALI MİL VE SOMUNLAR

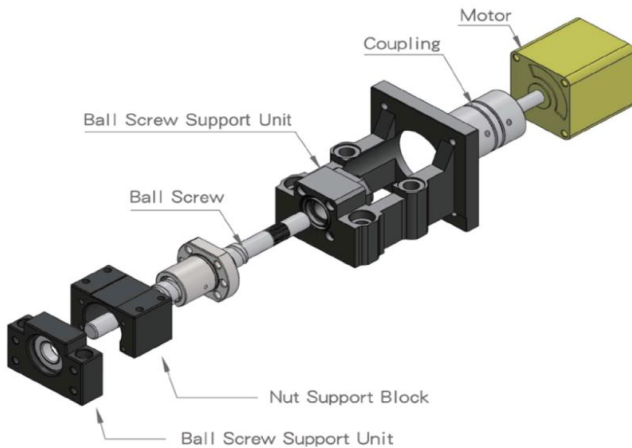
| Mil Çapı | Hatve | Somun Modeli | | |
|----------|-------|--------------|--|--|
| 16 | 05 | FSU | | |
| 20 | 05 | FSU | | |
| 25 | 05 | FSU | | |
| 32 | 05 | FSU | | |
| 40 | 05 | FSU | | |



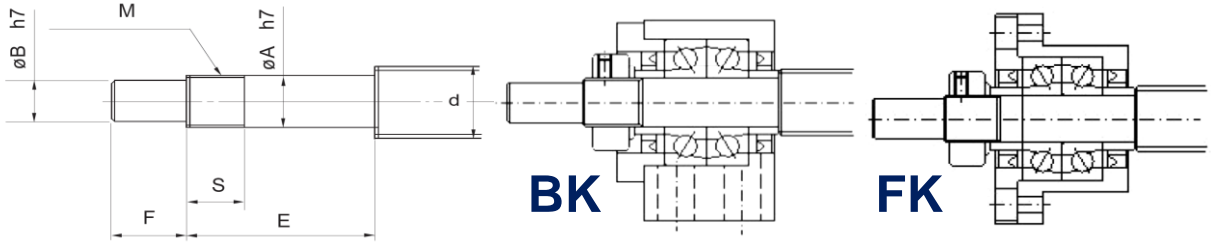
YÜKSEK İLERLEME HASSASİYETLİ C5 SERİSİ VİDALI MİLLER

GTEN C5 Serisi Vidalı Miller

| Mil Çapı | Hatve | Uyumlu Olduğu Somun Modelleri | |
|----------|-------|-------------------------------|--|
| 16 | 05 | FSU,FSI,FDU,FDI,RSY | |
| 20 | 05 | FSU,FSI,FDU,FDI,RSY | |
| 25 | 05 | FSU,FSI,FDU,FDI,RSY | |
| 32 | 05 | FSU,FSI,FDU,FDI,RSY | |
| 32 | 10 | FSU,FSI,FDU,FDI,RSY | |
| 40 | 5 | FSU,FSI,FDU,FDI,RSY | |
| 40 | 10 | FSU,FSI,FDU,FDI,RSY | |

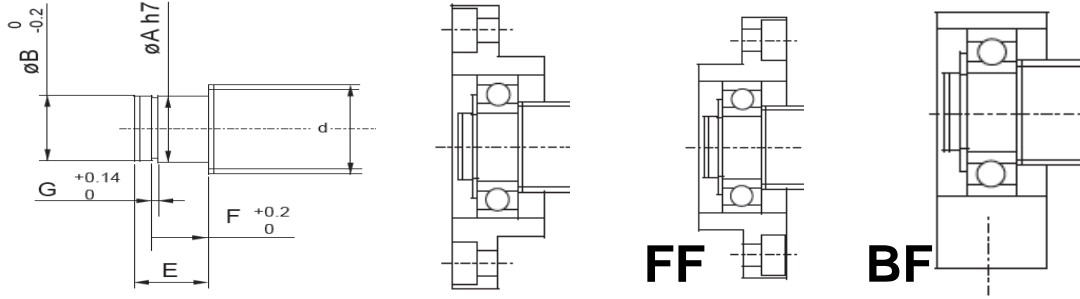


SABİT YATAKLAMALAR İÇİN VİDALI MİL UÇ İŞLEME ÖLÇÜLERİ



| Yatak Model No. | Vidalı Mil Çapı d | Yatak Mil Çapı A | B | E | F | Uç Vida Ölçüleri | |
|-----------------|----------------------|---------------------|----|----|----|------------------|----|
| | | | | | | M | S |
| BK 10 | 12/14/15 | 10 | 8 | 36 | 15 | M10x1 | 16 |
| BK 12 | 14/15/16 | 12 | 10 | 36 | 15 | M12x1 | 14 |
| BK 15 | 18/20 | 15 | 12 | 40 | 20 | M15x1 | 12 |
| BK 17 | 20/25 | 17 | 15 | 53 | 23 | M17x1 | 17 |
| BK 20 | 25/28 | 20 | 17 | 53 | 25 | M20x1 | 15 |
| BK 25 | 32/36 | 25 | 20 | 65 | 30 | M25x1,5 | 18 |
| BK 30 | 36/40 | 30 | 25 | 72 | 38 | M30x1,5 | 25 |
| BK 35 | 45 | 35 | 30 | 81 | 45 | M35x1,5 | 28 |
| BK 40 | 50 | 40 | 35 | 93 | 50 | M40x1,5 | 35 |

OYNAK YATAKLAMALAR İÇİN VİDALI MİL UÇ İŞLEME ÖLÇÜLERİ



| Yatak Model No. | Vidalı Mil Çapı d | Yatak Mil Çapı A | E | Segman Kanalı | | |
|-----------------|----------------------|---------------------|---------|---------------|--------------|------|
| | | | | B | F | G |
| BF 10 | 12/14/15 | 8 | 10 | 7.6 | 7.9 | 0.9 |
| BF 12 | 14/15/16 | 10 | 11 | 9.6 | 9.15 | 1.15 |
| BF 15 | 18/20 | 15 | 13 | 14.3 | 10.15 | 1.15 |
| BF 17 | 20/25 | 17 | 16 | 16.2 | 13.15 | 1.15 |
| BF 20 | 25/28/30 | 20 | 19 (16) | 19 | 15.35(13.35) | 1.35 |
| BF 25 | 30/32/36 | 25 | 20 | 23.9 | 16.35 | 1.35 |
| BF 30 | 36/40 | 30 | 21 | 28.6 | 17.75 | 1.75 |
| BF 35 | 40/45 | 35 | 22 | 33 | 18.75 | 1.75 |
| BF 40 | 50 | 40 | 23 | 38 | 19.75 | 1.95 |

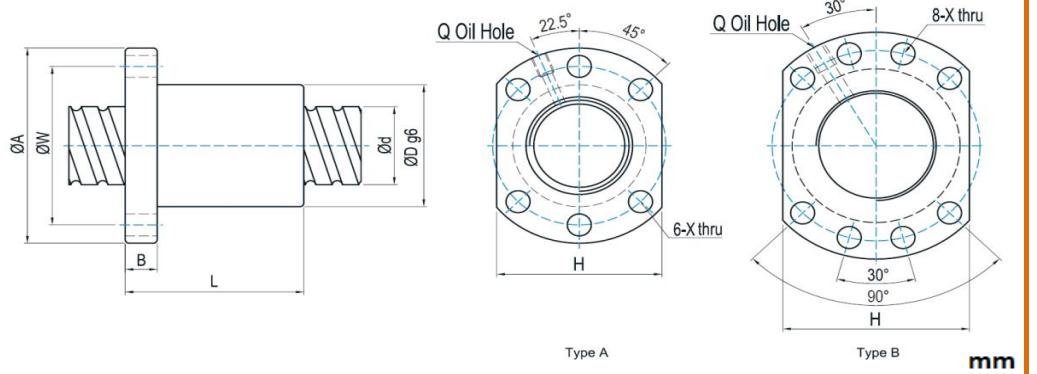
Somun montajında bilyalar dökülürse ne yapılabilir?



1. Dökülen bilyaları toplayın. Çünkü sadece **orijinal** bilyalar kullanılmalıdır. Eğer 2-3 adet eksik bilya olursa bu fazla sorun teşkil etmez.
2. Bütün parçaları iyice temizleyin.
3. Koruma borusunu montaj aparatı olarak kullanabilirsiniz.
4. Bilyaları dizin.
5. Dizme işlemine en aşağıdaki sıradan başlayın, koruma borusu, bilyaların düşmesini önleyecektir.

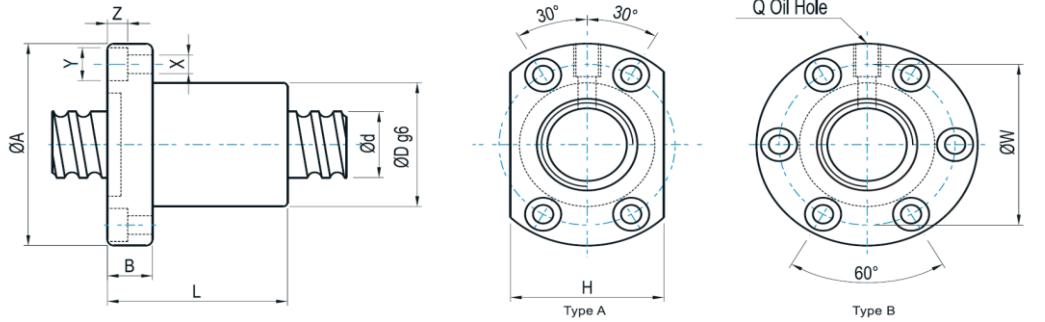


FSU (DIN69051)



| MODEL | Çap | Hatve | D | A | B | L | W | X | Tip | Dinamik Yük/ Kg | Statik Yük/ Kg |
|----------|-----|-------|-----|-----|----|-----|-----|------|-----|-----------------|----------------|
| FSU 1605 | 16 | 5 | 28 | 48 | 10 | 50 | 38 | 5,5 | A | 1344 | 1525 |
| FSU 2005 | 20 | 5 | 36 | 58 | 10 | 53 | 47 | 6,6 | A | 1512 | 1995 |
| FSU 2505 | 25 | 5 | 40 | 62 | 10 | 53 | 51 | 6,6 | A | 1704 | 2581 |
| FSU 2510 | 25 | 10 | 40 | 62 | 12 | 85 | 51 | 6,6 | A | 2881 | 3695 |
| FSU 3205 | 32 | 5 | 50 | 80 | 12 | 53 | 65 | 9 | A | 1924 | 3403 |
| FSU 3210 | 32 | 10 | 50 | 80 | 16 | 90 | 65 | 9 | A | 4834 | 7835 |
| FSU 4005 | 40 | 5 | 63 | 93 | 16 | 56 | 78 | 9 | B | 2142 | 4342 |
| FSU 4010 | 40 | 10 | 63 | 93 | 18 | 93 | 78 | 9 | B | 5399 | 10074 |
| FSU 5010 | 50 | 10 | 75 | 110 | 18 | 93 | 93 | 11 | B | 5933 | 12313 |
| FSU 6310 | 63 | 10 | 90 | 125 | 18 | 98 | 108 | 11 | B | 6700 | 16230 |
| FSU 6320 | 63 | 20 | 95 | 135 | 20 | 138 | 115 | 13,5 | B | 8957 | 17945 |
| FSU 8010 | 80 | 10 | 105 | 145 | 20 | 98 | 125 | 13,5 | B | 7547 | 21268 |
| FSU 8020 | 80 | 20 | 125 | 165 | 25 | 143 | 145 | 13,5 | B | 10168 | 23611 |

FSI



FSID.....Tip A
FSIN.....Tip B

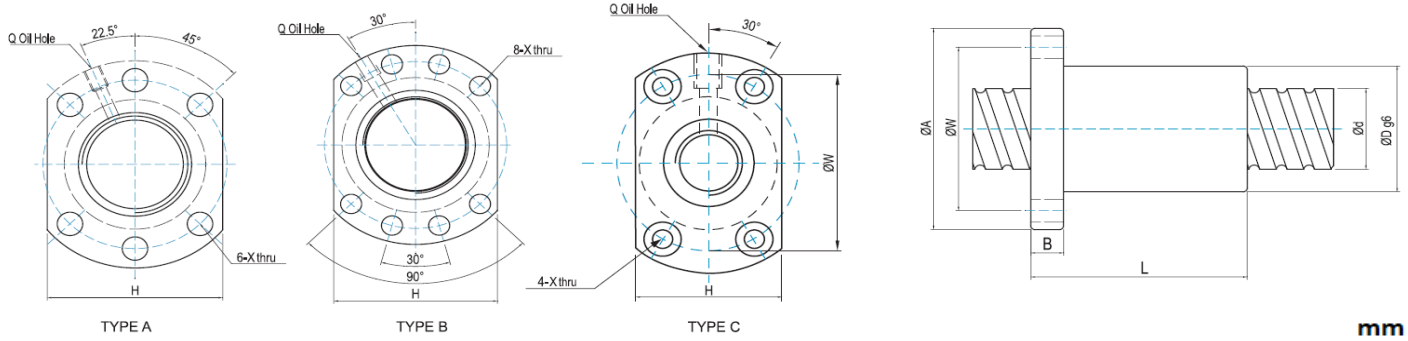
FSID
(Kesik Flaşlı Model)

FSIN
(Yuvarlak Flaşlı Model)

| MODEL | Çap | Hatve | D | A | B | L | W | X | Tip | Dinamik Yük/ Kg | Statik Yük/ Kg |
|----------|-----|-------|-----|-----|----|------|-----|-----|-----|-----------------|----------------|
| FSI 1604 | 16 | 4 | 30 | 49 | 10 | 45 | 39 | 4,5 | A | 944 | 1254 |
| FSI 1605 | 16 | 5 | 30 | 49 | 10 | 50 | 39 | 4,5 | A-B | 1344 | 1525 |
| FSI 1610 | 16 | 10 | 34 | 58 | 10 | 54,6 | 45 | 5,5 | A-B | 1512 | 1995 |
| FSI 2005 | 20 | 5 | 34 | 57 | 12 | 53 | 45 | 5,5 | A-B | 1512 | 1995 |
| FSI 2504 | 25 | 4 | 40 | 63 | 11 | 46 | 51 | 5,5 | A | 1178 | 2046 |
| FSI 2505 | 25 | 5 | 40 | 63 | 12 | 53 | 51 | 5,5 | A-B | 1704 | 2581 |
| FSI 2510 | 25 | 10 | 46 | 72 | 12 | 85 | 58 | 6,5 | A-B | 2881 | 3695 |
| FSI 3205 | 32 | 5 | 46 | 72 | 12 | 53 | 58 | 6,5 | A-B | 1924 | 3403 |
| FSI 3210 | 32 | 10 | 54 | 88 | 16 | 90 | 70 | 9 | A-B | 4834 | 7835 |
| FSI 4005 | 40 | 5 | 56 | 90 | 16 | 56 | 72 | 9 | A-B | 2142 | 4342 |
| FSI 4010 | 40 | 10 | 62 | 104 | 18 | 93 | 82 | 11 | A-B | 5399 | 10074 |
| FSI 5010 | 50 | 10 | 72 | 114 | 18 | 93 | 92 | 11 | A-B | 5933 | 12343 |
| FSI 8020 | 20 | 50 | 115 | 173 | 23 | 130 | 143 | 18 | A-B | 10168 | 23611 |



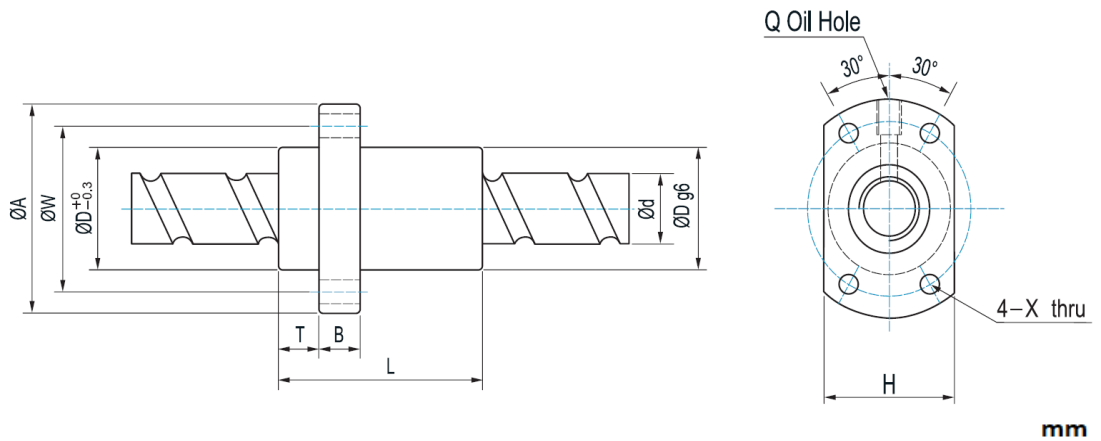
FSC



| MODEL | Çap | Hatve | D | A | B | L | W | X | Tip | Dinamik Yük/ Kgf | Statik Yük/ Kgf |
|----------|-----|-------|----|-----|----|-----|----|-----|-----|------------------|-----------------|
| FSC 1610 | 16 | 10 | 28 | 48 | 12 | 43 | 38 | 5,5 | A | 1180 | 1496 |
| FSC 1616 | 16 | 16 | 28 | 48 | 12 | 61 | 38 | 5,5 | A | 1180 | 1496 |
| FSC 2010 | 20 | 10 | 46 | 74 | 13 | 54 | 59 | 6,6 | C | 1765 | 2338 |
| FSC 2020 | 20 | 20 | 36 | 58 | 10 | 55 | 47 | 6,6 | A | 1659 | 2464 |
| FSC 2525 | 25 | 25 | 47 | 74 | 12 | 67 | 60 | 6,6 | A | 2481 | 3851 |
| FSC 3220 | 32 | 20 | 50 | 80 | 13 | 78 | 65 | 9 | A | 2141 | 3576 |
| FSC 3232 | 32 | 32 | 56 | 86 | 16 | 82 | 71 | 9 | A | 3585 | 6071 |
| FSC 4020 | 40 | 20 | 63 | 93 | 15 | 83 | 78 | 9 | B | 3782 | 6468 |
| FSC 4040 | 40 | 40 | 65 | 95 | 18 | 100 | 80 | 9 | B | 5778 | 11753 |
| FSC 5020 | 50 | 20 | 75 | 110 | 18 | 121 | 93 | 11 | B | 7737 | 18189 |



FSE

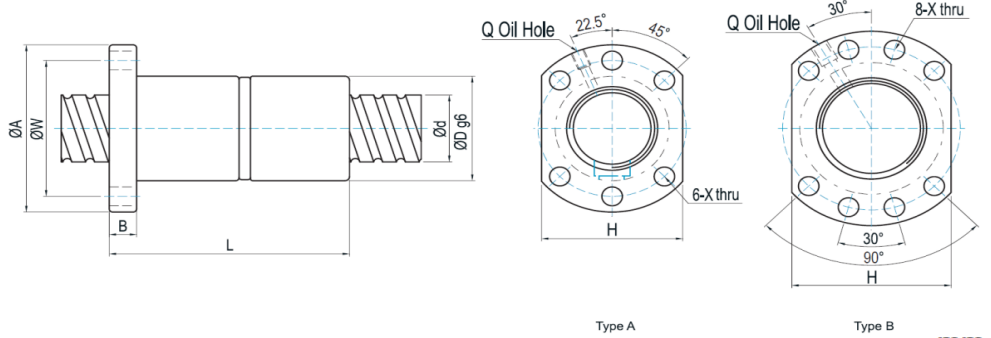


| MODEL | Çap | Hatve | D | A | B | L | W | X | Q | Dinamik Yük/ Kgf | Statik Yük/ Kgf |
|----------|-----|-------|----|-----|----|-----|-----|-----|----|------------------|-----------------|
| FSE 1616 | 16 | 16 | 32 | 53 | 10 | 48 | 42 | 4,5 | M6 | 1512 | 1995 |
| FSE 2020 | 20 | 20 | 39 | 62 | 10 | 55 | 50 | 5,5 | M6 | 1659 | 2464 |
| FSE 2525 | 25 | 25 | 47 | 74 | 12 | 67 | 60 | 6,6 | M6 | 2481 | 3851 |
| FSE 3232 | 32 | 32 | 58 | 92 | 15 | 82 | 74 | 9 | M6 | 3585 | 6071 |
| FSE 4040 | 40 | 40 | 73 | 114 | 17 | 100 | 93 | 11 | M6 | 5778 | 11753 |
| FSE 5050 | 50 | 50 | 90 | 135 | 20 | 125 | 112 | 14 | M6 | 8819 | 19241 |



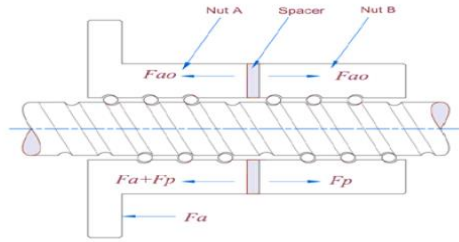
FDU (DIN69051)

Double Tip Somun



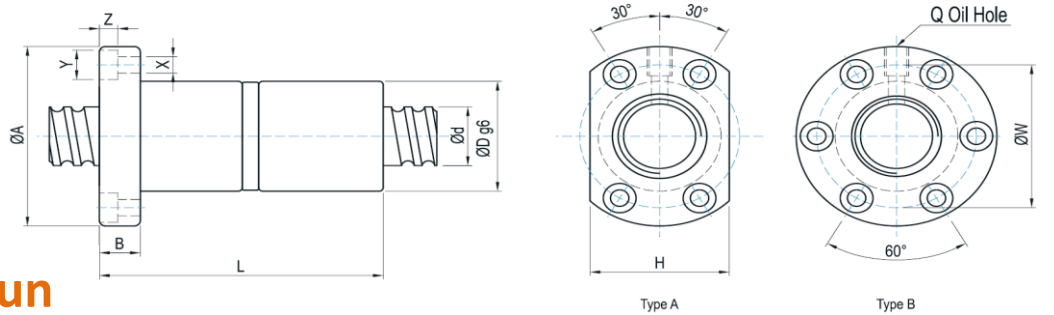
mm

| MODEL | Çap | Hatve | D | A | B | L | W | X | Tip | Dinamik Yük/ Kgf | Statik Yük/ Kgf |
|----------|-----|-------|-----|-----|----|-----|-----|------|-----|------------------|-----------------|
| FDU 1605 | 16 | 5 | 28 | 48 | 10 | 80 | 38 | 5,5 | A | 1049 | 1144 |
| FDU 2005 | 20 | 5 | 36 | 58 | 12 | 92 | 47 | 6,6 | A | 1512 | 1995 |
| FDU 2505 | 25 | 5 | 40 | 62 | 12 | 92 | 51 | 6,6 | A | 1704 | 2581 |
| FDU 2510 | 25 | 10 | 40 | 62 | 12 | 153 | 51 | 6,6 | A | 2881 | 3695 |
| FDU 3205 | 32 | 5 | 50 | 80 | 12 | 92 | 65 | 9 | A | 1924 | 3403 |
| FDU 3210 | 32 | 10 | 50 | 80 | 16 | 160 | 65 | 9 | A | 4834 | 7853 |
| FDU 4005 | 40 | 5 | 63 | 93 | 15 | 96 | 78 | 9 | B | 2142 | 4342 |
| FDU 4010 | 40 | 10 | 63 | 93 | 18 | 162 | 78 | 9 | B | 5399 | 10074 |
| FDU 5010 | 50 | 10 | 75 | 110 | 16 | 162 | 93 | 11 | B | 5933 | 12313 |
| FDU 6310 | 63 | 10 | 90 | 125 | 18 | 182 | 108 | 11 | B | 6700 | 16230 |
| FDU 6320 | 63 | 20 | 95 | 135 | 20 | 253 | 115 | 13,5 | B | 8957 | 17945 |
| FDU 8010 | 80 | 10 | 105 | 145 | 20 | 182 | 125 | 13,5 | B | 7547 | 21268 |
| FDU 8020 | 80 | 20 | 125 | 165 | 25 | 253 | 145 | 13,5 | B | 10168 | 23611 |



FDI

Double Tip Somun



FDID (Keskik Flanşlı Model)

FDIN (Yuvarlak Flanşlı Model)

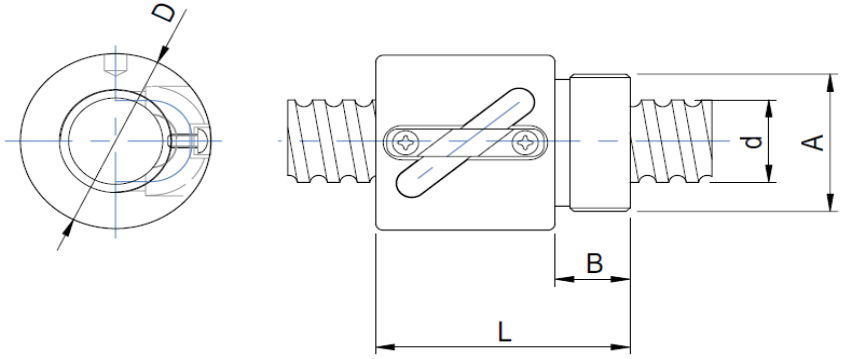
FDID.....Tip A
FDIN.....Tip B

mm

| MODEL | Çap | Hatve | D | A | B | L | W | X | Tip | Dinamik Yük/ Kgf | Statik Yük/ Kgf |
|----------|-----|-------|----|-----|----|-----|----|-----|-----|------------------|-----------------|
| FDI 2505 | 25 | 5 | 40 | 63 | 12 | 92 | 51 | 5,5 | A | 1704 | 2581 |
| FDI 2510 | 25 | 10 | 46 | 72 | 12 | 156 | 58 | 6,5 | A | 2881 | 3695 |
| FDI 3205 | 32 | 5 | 46 | 72 | 12 | 92 | 58 | 6,5 | A | 1924 | 3403 |
| FDI 3210 | 32 | 10 | 54 | 88 | 16 | 160 | 70 | 9 | A | 4834 | 7835 |
| FDI 4010 | 40 | 10 | 62 | 104 | 18 | 162 | 82 | 11 | A | 5399 | 10074 |
| FDI 5010 | 50 | 10 | 72 | 114 | 18 | 162 | 92 | 11 | A | 5933 | 12313 |



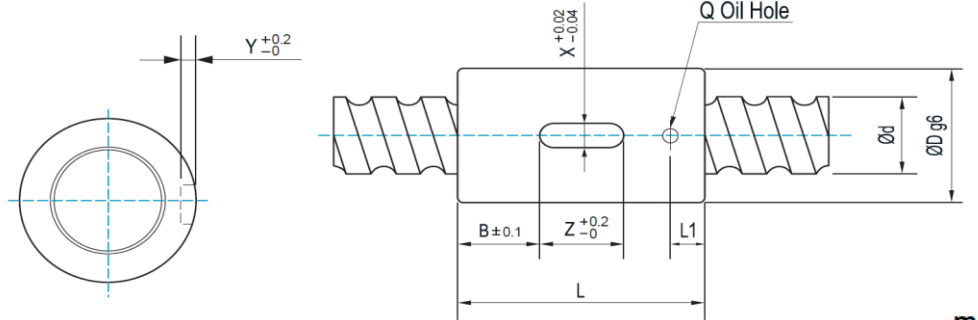
RSW



mm

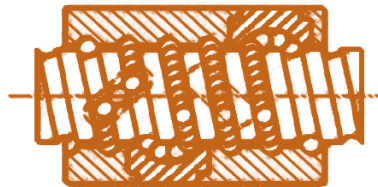
| MODEL | Çap | Hatve | D | B | L | A | Dinamik Yük/ Kg | Statik Yük/ Kg |
|----------|-----|-------|------|-----|------|-------|-----------------|----------------|
| RSW 0825 | 8 | 2,5 | 17,5 | 7,5 | 23,5 | M15x1 | 150 | 232 |
| RSW 1204 | 12 | 4 | 25,5 | 10 | 34 | M20x1 | 425 | 738 |
| RSW 1205 | 12 | 5 | 25,5 | 10 | 39 | M20x1 | 662 | 1036 |

RSY



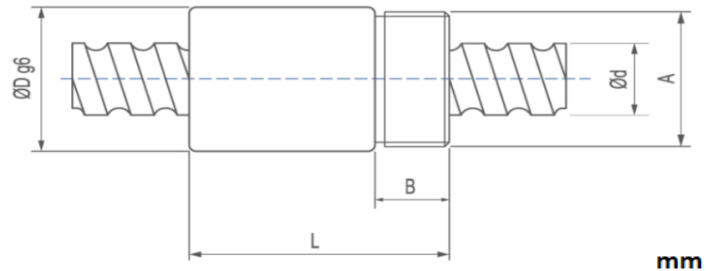
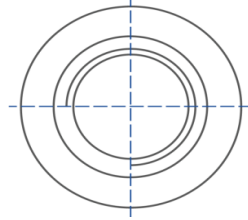
mm

| MODEL | Çap | Hatve | D | L | B | X | Z | Q | L1 | Dinamik Yük/ Kg | Statik Yük/ Kg |
|----------|-----|-------|----|----|------|---|----|---|----|-----------------|----------------|
| RSY 1205 | 12 | 5 | 24 | 40 | 14 | 3 | 12 | 3 | 5 | 514 | 594 |
| RSY 1210 | 12 | 10 | 24 | 40 | 14 | 3 | 12 | 3 | 5 | 390 | 466 |
| RSY 1605 | 16 | 5 | 28 | 50 | 15 | 5 | 20 | 3 | 7 | 1344 | 1525 |
| RSY 1610 | 16 | 10 | 28 | 45 | 12,5 | 5 | 20 | 3 | 7 | 1181 | 1496 |
| RSY 1616 | 16 | 16 | 28 | 45 | 12,5 | 5 | 20 | 3 | 7 | 833 | 997 |
| RSY 2005 | 20 | 5 | 36 | 53 | 16,5 | 5 | 20 | 3 | 7 | 1512 | 1995 |
| RSY 2010 | 20 | 10 | 36 | 54 | 17 | 5 | 20 | 3 | 7 | 1765 | 2338 |
| RSY 2020 | 20 | 20 | 36 | 55 | 17,5 | 5 | 20 | 3 | 7 | 1659 | 2464 |
| RSY 2505 | 25 | 5 | 40 | 53 | 16,5 | 5 | 20 | 3 | 7 | 1704 | 2581 |
| RSY 2510 | 25 | 10 | 40 | 54 | 17 | 5 | 20 | 3 | 7 | 1614 | 2460 |
| RSY 3205 | 32 | 5 | 50 | 53 | 11,5 | 6 | 30 | 3 | 7 | 1924 | 3403 |
| RSY 3210 | 32 | 10 | 50 | 70 | 20 | 6 | 30 | 3 | 7 | 3775 | 5877 |
| RSY 3220 | 32 | 20 | 50 | 78 | 24 | 6 | 30 | 3 | 7 | 2141 | 3576 |
| RSY 4005 | 40 | 5 | 63 | 56 | 13 | 6 | 30 | 3 | 7 | 2142 | 4342 |
| RSY 4010 | 40 | 10 | 63 | 80 | 25 | 6 | 30 | 3 | 7 | 4216 | 7556 |
| RSY 4020 | 40 | 20 | 63 | 83 | 26,5 | 6 | 30 | 3 | 7 | 3782 | 6468 |
| RSY 5010 | 50 | 10 | 75 | 82 | 23 | 6 | 36 | 3 | 7 | 4633 | 9235 |
| RSY 6310 | 63 | 10 | 85 | 90 | 29 | 6 | 32 | 5 | 14 | 6700 | 16230 |





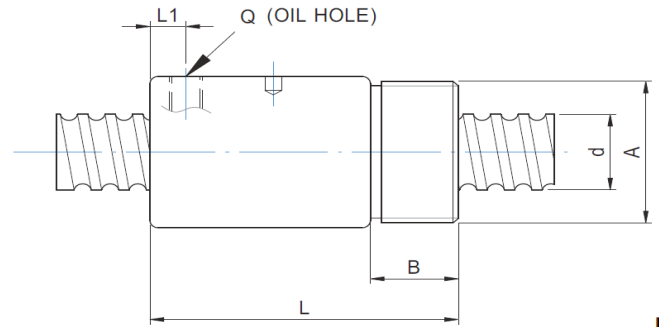
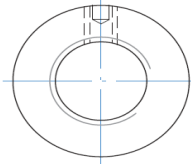
RSK



mm

| MODEL | Çap | Hatve | D | A | B | L | n | Dinamik Yük/ Kg | Statik Yük/ Kg |
|----------|-----|-------|------|---------|----|----|----|-----------------|----------------|
| RSK 0825 | 8 | 2,5 | 17,5 | M15x1 | 8 | 26 | T3 | 215 | 239 |
| RSK 1003 | 10 | 3 | 21 | M18x1 | 9 | 29 | T3 | 403 | 424 |
| RSK 1204 | 12 | 4 | 25,5 | M20x1 | 10 | 34 | T3 | 645 | 693 |
| RSK 1205 | 12 | 5 | 25,5 | M20x1 | 10 | 39 | T3 | 514 | 594 |
| RSK 1605 | 16 | 5 | 32,5 | M26x1,5 | 12 | 42 | T3 | 1049 | 1144 |

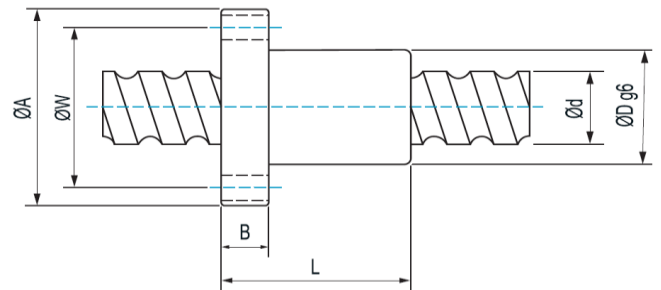
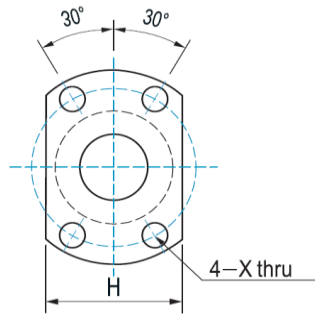
RSU



mm

| MODEL | Çap | Hatve | D | A | B | L | Q | L1 | n | Dinamik Yük/ Kg | Statik Yük/ Kg |
|----------|-----|-------|----|---------|------|------|----|-----|----|-----------------|----------------|
| RSU 1605 | 16 | 5 | 32 | M30x1,5 | 16 | 56 | M6 | 6,5 | T4 | 1344 | 1525 |
| RSU 2005 | 20 | 5 | 38 | M35x1,5 | 16,5 | 59,5 | M6 | 7 | T4 | 1512 | 1995 |
| RSU 2505 | 25 | 5 | 42 | M40x1,5 | 17 | 60 | M6 | 7 | T4 | 1704 | 2581 |
| RSU 2510 | 25 | 10 | 42 | M40x1,5 | 17 | 90 | M6 | 10 | T4 | 2881 | 3695 |
| RSU 3205 | 32 | 5 | 52 | M48x1,5 | 19 | 60 | M6 | 7 | T4 | 1924 | 3403 |
| RSU 3210 | 32 | 10 | 52 | M48x1,5 | 19 | 93 | M6 | 12 | T4 | 4834 | 7835 |

FSK



mm

| MODEL | Çap | Hatve | D | A | B | L | W | X | H | Dinamik Yük/ Kg | Statik Yük/ Kg |
|----------|-----|-------|----|----|-----|----|----|-----|----|-----------------|----------------|
| FSK 0601 | 6 | 1 | 12 | 24 | 3,5 | 18 | 18 | 3,4 | 16 | 111 | 123 |
| FSK 0801 | 8 | 1 | 14 | 27 | 4 | 20 | 21 | 3,4 | 18 | 126 | 162 |
| FSK 0802 | 8 | 2 | 16 | 29 | 4 | 26 | 23 | 3,4 | 20 | 215 | 239 |
| FSK 0825 | 8 | 5 | 16 | 29 | 4 | 26 | 23 | 3,4 | 20 | 215 | 239 |
| FSK 1002 | 10 | 2 | 18 | 35 | 5 | 28 | 27 | 4,5 | 22 | 240 | 302 |
| FSK 1202 | 12 | 2 | 20 | 37 | 5 | 28 | 29 | 4,5 | 24 | 265 | 377 |
| FSK 1204 | 12 | 4 | 28 | 48 | 6 | 35 | 39 | 5,5 | 30 | 645 | 693 |
| FSK 1402 | 14 | 2 | 21 | 40 | 6 | 28 | 31 | 5,5 | 26 | 283 | 440 |